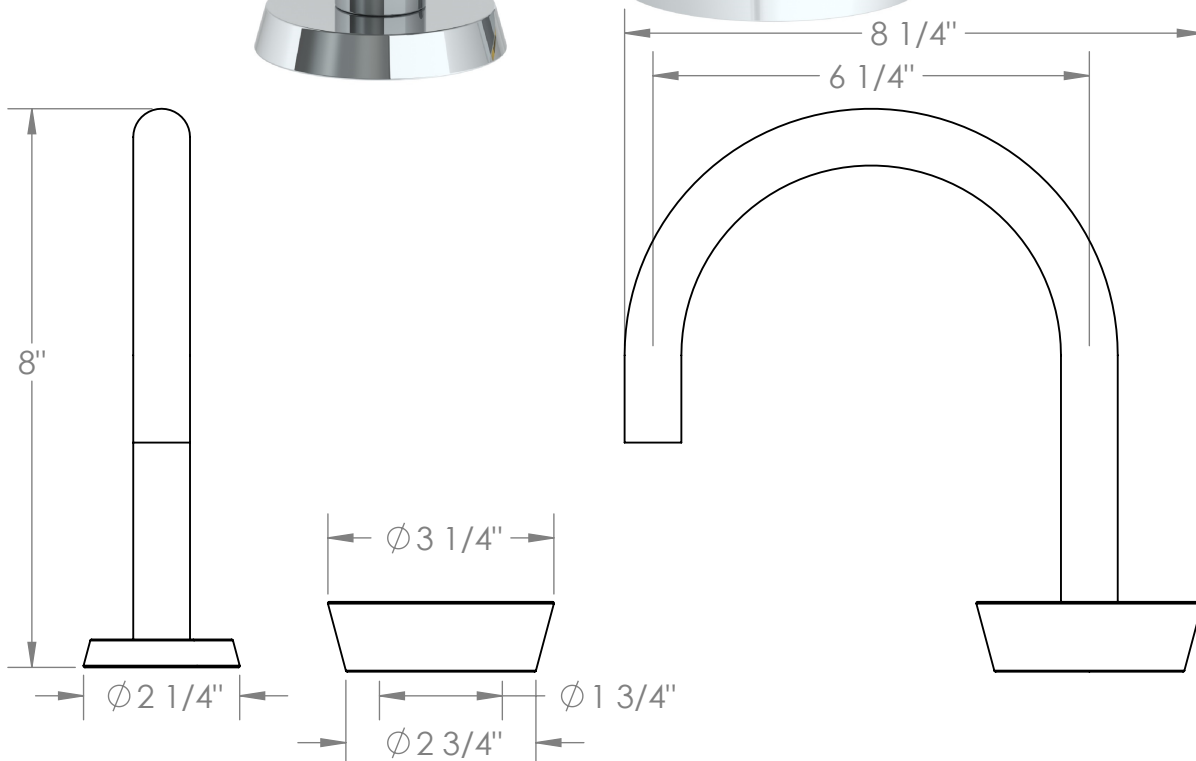


**36-1.3S-BL1**

Deck Mounted 2 Hole Gooseneck Lavatory Set with Short Spout

Includes MPU5 soft-touch drain

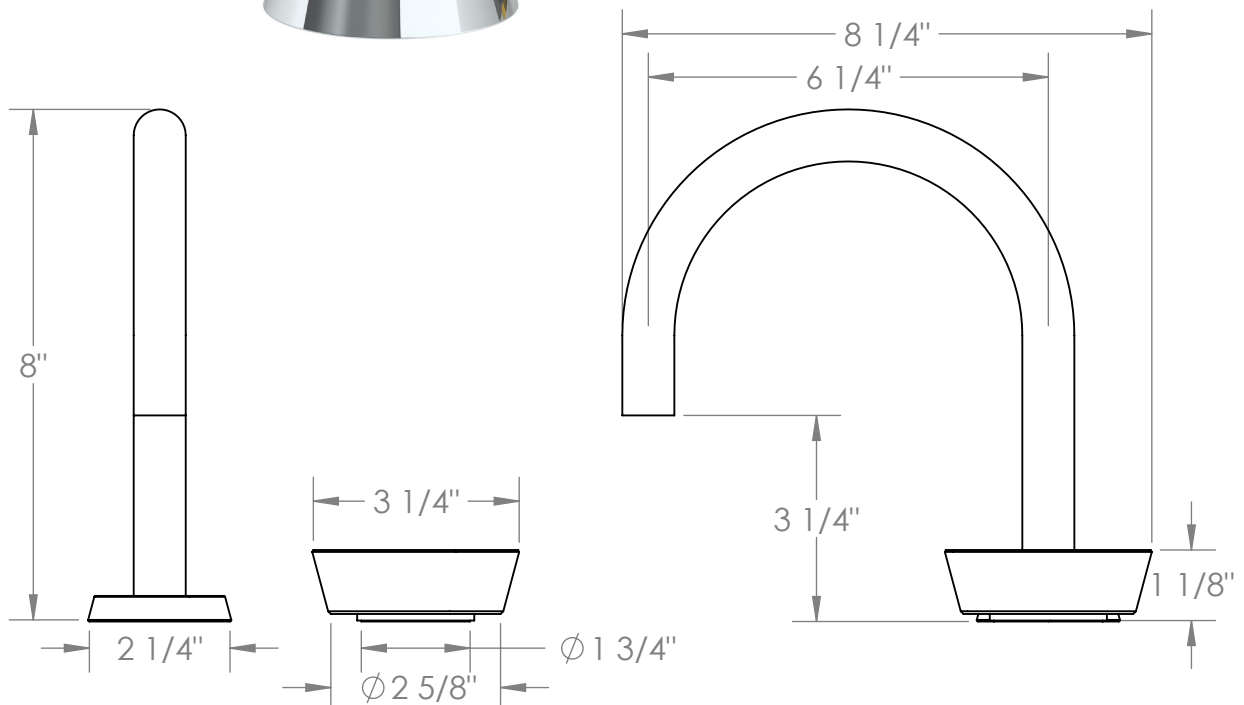
Flow Rate: 1.2 GPM



Meets the applicable requirements of ASME A112.18.1-2005/CSA B125.1-05, entitled "Plumbing Supply Fittings"

### 36-1.3S-CM

Deck Mounted 2 Hole Gooseneck Lavatory Set with Short Spout  
Includes MPU5 soft-touch drain  
Flow Rate: 1.2 GPM



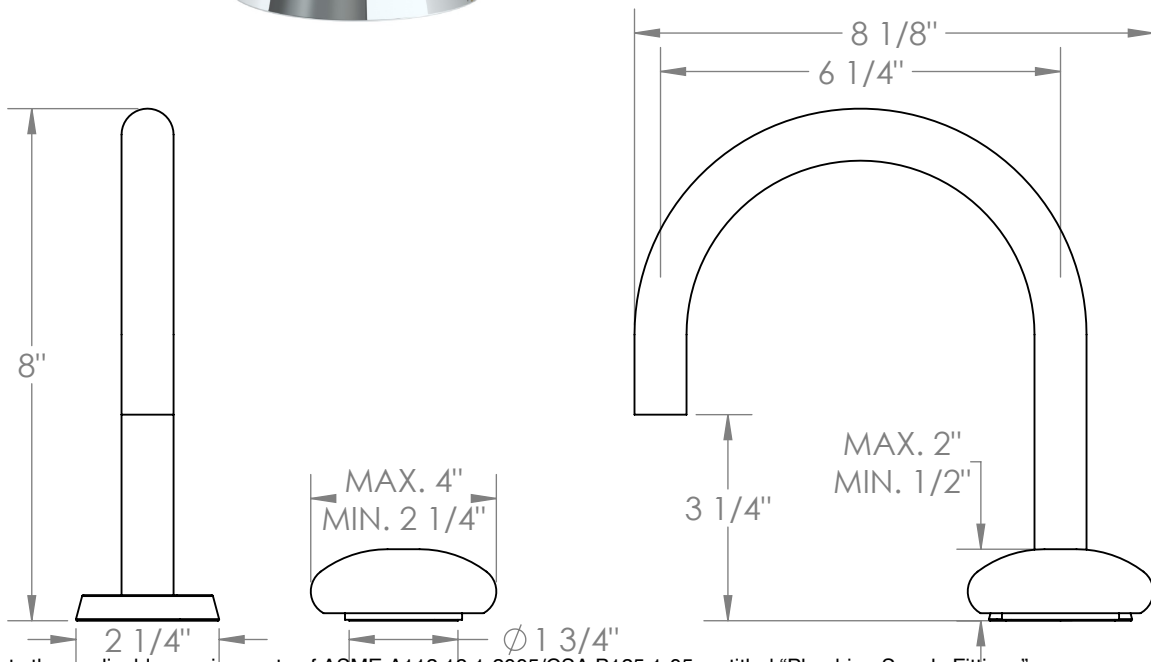
Meets the applicable requirements of ASME A112.18.1-2005/CSA B125.1-05, entitled "Plumbing Supply Fittings"

# **WATERMARK** DESIGNS 8/16/2019

350 Dewitt Ave Brooklyn NY 11207 USA T 718 257 2800 F 718 257 2144 info@watermark-designs.com

### 36-1.3S-WM

Deck Mounted 2 Hole Gooseneck Lavatory Set with Short Spout  
Includes MPU5 soft-touch drain  
Flow Rate: 1.2 GPM



Meets the applicable requirements of ASME A112.18.1-2005/CSA B125.1-05, entitled "Plumbing Supply Fittings"

# **WATERMARK** DESIGNS 8/16/2019

350 Dewitt Ave Brooklyn NY 11207 USA T 718 257 2800 F 718 257 2144 info@watermark-designs.com